

TFD15 Double Scissor Lift Table



TFD15 is a double scissor lift table with a 150kg capacity.

With a smaller external profile, it is better suited for those applications where a higher lift height is required, but access is more restricted such for example rack servers in a data center.

It has two swivel wheels with brakes, non marking 100mm Poly-urethane tyres all around help to prevent damage to floors, an overload valve is built in to the hydraulics.

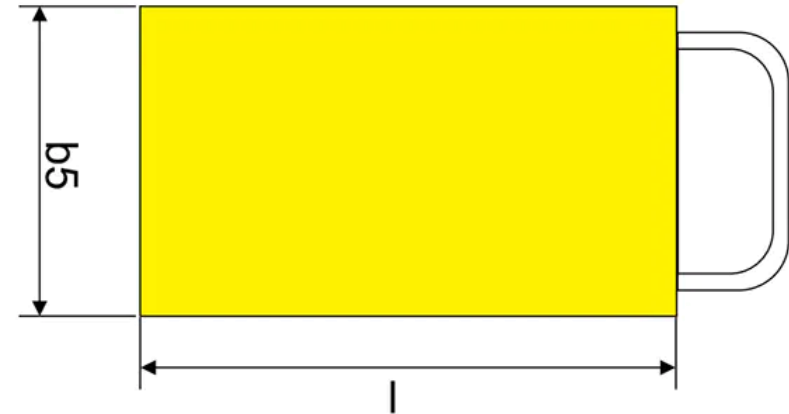
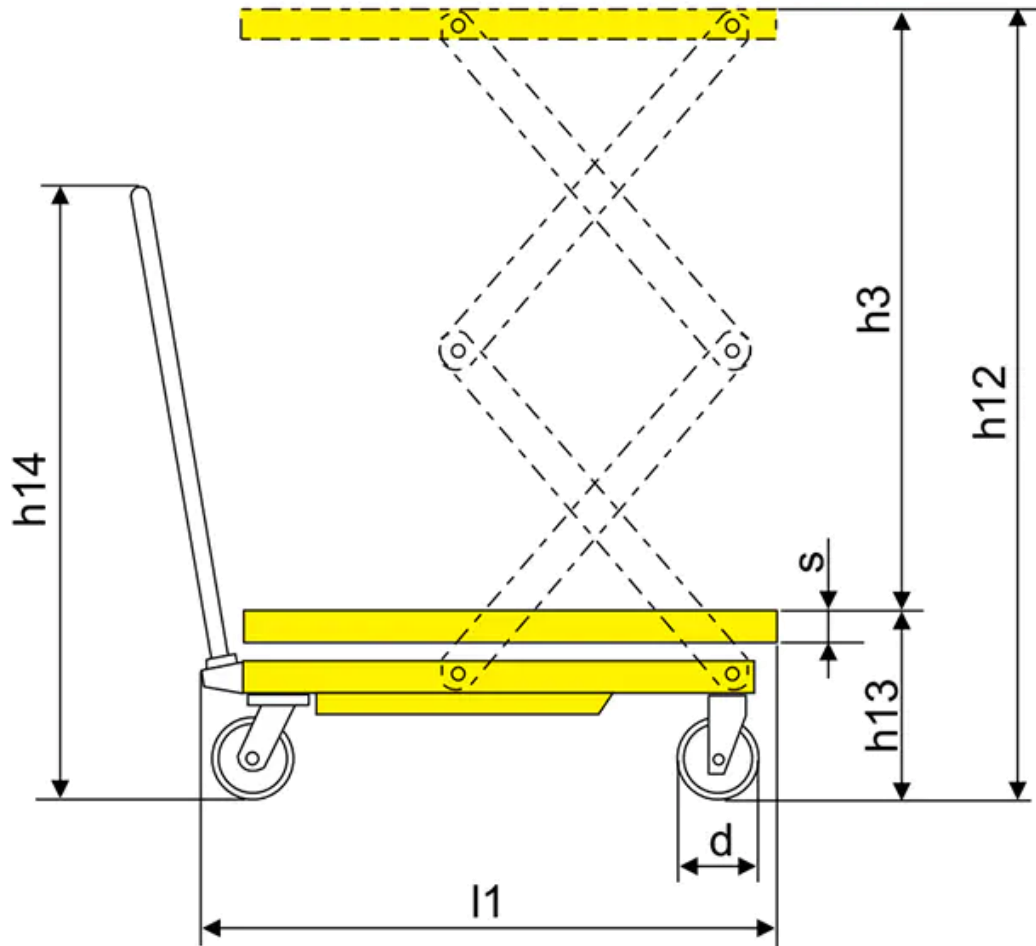
Having a lower capacity than its bigger brothers, means the manually operated foot pedal takes up to just 30 cycles to hit full height of 1100mm. To lower the unit, you only have to press the speed controllable hand lever.

At just 64kg, it is easily manoeuvrable and easy to use.

For full dimensions, please see page 2

Page 1 of 2

TFD15 Double Scissor Lift Table



Model	TFD15	
Capacity	kg	150
Max Lift Height	h12 (mm)	1100
Min Table Height	h13 (mm)	302
Lifting Span (mm)	h3 (mm)	798
Table Top Size	l x b5 x s (mm)	700x450x35
Total Height With Handle	h14 (mm)	921
Overall length	l1 (mm)	773
Foot Pedals To Max. Height	≤	30
Wheel Diameter	d (mm)	100
Weight	kg	64
Boxed transport size	mm	800x480x330mm