

/všŒ} μ]vP šZ YX

0, - 3378

6 (0, (/ (& 75, &
3 \$ / / (7 758 & .

0 , ' - 3 3 7

SEMI-ELECTRIC LITHIUM PALLET TRUCK

MID-PPT18 is a streamline and efficient semi-electric pallet truck. Lowering and raising is manual via a pump action, with powered horizontal movement.

The truck features a very reliable 0.75kw brushless maintenance free driving motor, coupled together with a highly efficient lithium battery giving maximum running time between charges.



To allow the unit to be constantly operated, you also have the option of purchasing extra batteries which are easily interchangeable (within seconds). These allow the truck to be used on a fully charged battery, whilst the spent battery is being charged with the supplied external battery charger.



Rated at 1800kg capacity and a slope/climbing gradeability of: Laden 5%-1800kg / 6%-1500kg / 10%-800kg, or 20% unladen—this is a powerful machine with average life 3 times greater than a manual pallet truck. Despite this, it's a compact unit, only 32mm longer than a standard pallet truck.

The ergonomic tiller is a multi-function handle, which helps reduce fatigue and will automatically return to the vertical position when released. It features an emergency stop, forward/reverse butterfly switch, horn and LED screen displaying battery life.



For harsher environments, a protective wheel cover is also available.

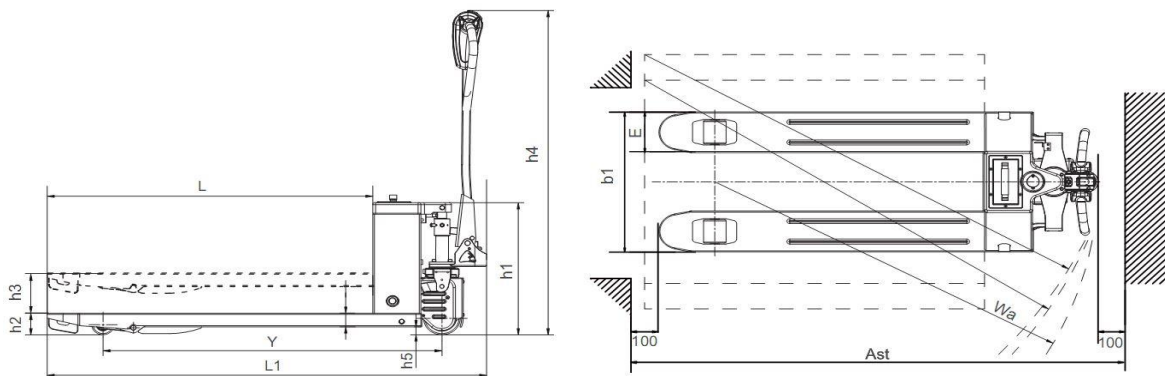


Features non-marking Polyurethane wheels with Integral fork wheels—ideal for pallets of an open or closed design.

Invest and Improve your efficiency now, whilst protecting your staff from strains and injury.

SPECIFICATIONS

CHARACTERISTICS			
Capacity		kg	1800
DIMENSIONS			
Load Center		mm	600
Maximum fork height	h3	mm	197 (+/-2mm)
Lowered fork height		mm	82 (+/-2mm)
Overall fork width		mm	550 / 685*
Fork Length	L	mm	1150 / 1220*
Fork thickness	b1	mm	58
Fork width	E	mm	160
Overall length	L1	mm	1552 / 1622*
Overall height (with tiller)	h4	mm	1300
Overall height (without tiller)	h1	mm	520
Rear body length		mm	402
Rear body width		mm	550 / 685*
Minimum turning radius	wa	mm	1353
Minimum aisle width required (800x1200mm pallet)		mm	1887
Minimum aisle width required (1000x1200mm pallet)		mm	1918
PERFORMANCE			
Maximum travelling speed	laden	km/h	3.5
	unladen	km/h	5
Gradeability	laden	%	5
	unladen	%	20
Lifting	Hydraulic		
BRAKE TYPE			
Travel Brake	Regenerate		
Brake	Electromagnetic		
WHEELS			
Type	Polyutherane (PU)		
Driving (steer) wheel	mm	130x55	
Loading wheel	mm	80x70mm	
MOTOR			
Travelling	kw	DC 0.75	
Battery			
Voltage	v	48	
Capacity / Type	Ah	10Ah / Lithium	



*685x1220mm fork sizes are available on request (540x1150mm forks are supplied as standard)