

MAIN FEATURES



Heavy duty excellent low maintenance pump unit with 500kg capacity

Heavy duty steel construction with epoxy powder coated finish to give greater ant-corrosion resistance.

Extra large table top
1600mm x 810mm (L x W)

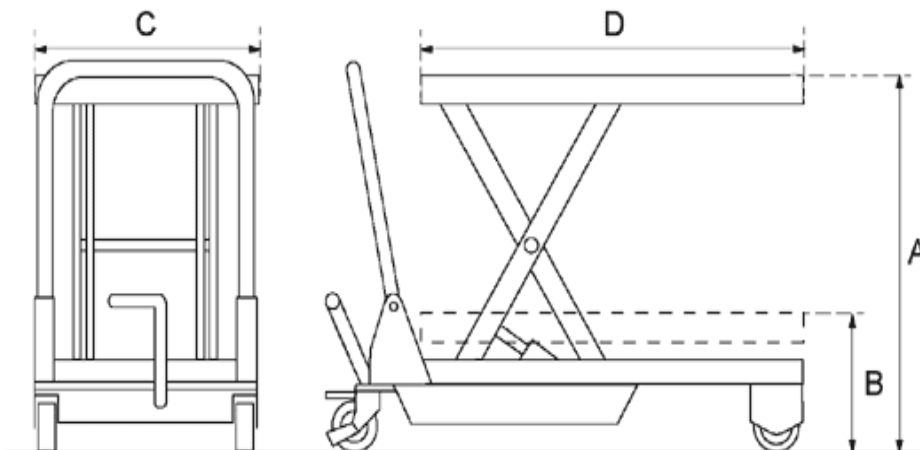
Heavy duty poly wheels fitted as standard complete with break

Ideal for lifting and transporting a variety of goods

TUV/GS approved and CE Rated.

Other table top sizes available to order

Spare parts available
From stock



MODEL		TG50
Capacity		kg 500
Min table height	B	mm 286
Max table height	A	mm 915
Table dimensions	C,D	mm 810 x 1600
Caster wheel		mm 127
Foot pedal cycles to max height		55
Weight of unit		kg 154
Height of handle from ground		mm 990