

Model SS-SLT

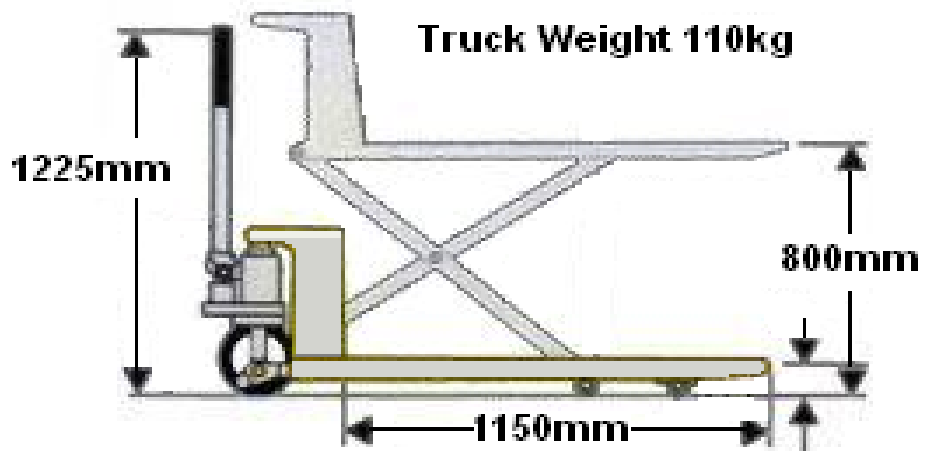
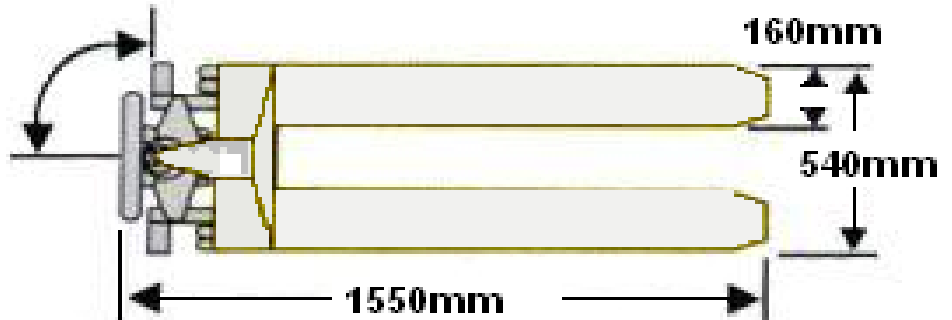
This Stainless Steel pallet High Lift truck is a high quality finished product, all components are made from Stainless steel grade ANSI304/ANSI316 apart from the rubber seals and some nylon components making it a highly anti corrosive product ideal for use in the food, fishing, chemical and pharmaceutical industries.

This truck will operate as a standard pallet truck up to 200mm lift height, once this height is exceeded the stabilizer forks secure the truck onto the floor.

The 800mm lift height allows the operator to add or remove goods onto the pallet without bending thus reducing back injuries.

The Truck is supplied with fork rollers and two steer wheels made from rigid white Nylon fitted with sealed stainless steel bearings.

This truck will not lift closed bottom pallets.



Pallet Truck Chock



Also consider buying our
Pallet Truck Chock

MIDLAND PALLET TRUCKS LTD
Part of the Midland Group of Companies
Telephone 01384 841440 Fax 01384 841450
Email. sales@midlandpallettrucks.com
Visit our Pallet truck Shop at :- www.midlandpallettrucks.com