



**MAIN FEATURES**

Heavy duty c-shaped steel construction for strength and rigidity with drop forged forks.

Chip and corrosion resistant paint finish

Adjustable forks for various load sizes.

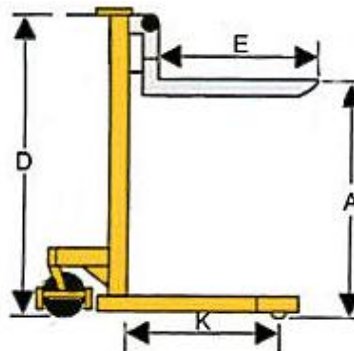
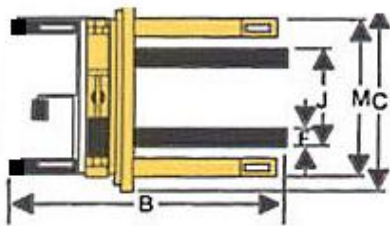
Heavy duty pump unit with a lifting capacity of 1000kg  
Double lift height

Light and easy steering with foot brake

Conforms to CE standards

An economical solution for lifting and moving pallets, skids, etc.

Open bottom pallets only



MODEL		SFH1025
Capacity	kg	1000
Max Fork Height	A	mm 2500
Lowered Fork Height		mm 85
Fork Fixed Width	J	mm 550
Fork Width	F	mm 160
Fork Length	E	mm 1150
Overall Length	B	mm 1130
Overall Height	D	mm 1830
Overall Width	C	mm 740
Weight of Unit	kg	300