



MAIN FEATURES

Heavy duty c-shaped steel construction for strength and rigidity with drop forged forks.

Chip and corrosion resistant paint finish

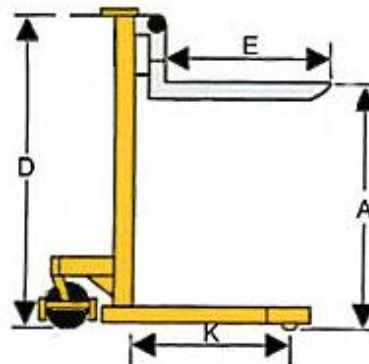
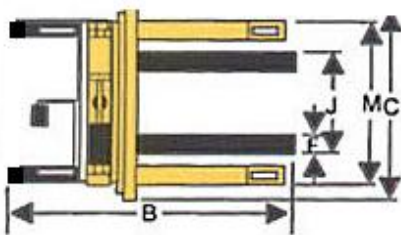
Heavy duty pump unit with a lifting capacity of 500kg

Light and easy steering with foot brake

Conforms to CE standards

An economical solution for lifting and moving pallets, skids, etc.

Open bottom pallets only



MODEL			EFS0516
Capacity		kg	500
Max Fork Height	A	mm	1600
Lowered Fork Height		mm	85
Width across the forks	J	mm	550
Fork Width	F	mm	150
Fork Length	E	mm	1050
Overall Length	B	mm	1520
Overall Height	D	mm	2010
Overall Width	C	mm	820
Weight of Unit		kg	156