



SAC-W Weigh Scale Pallet Truck

This versatile and mobile weigh scale pallet truck will operate as a standard pallet truck with the added facility of a being able to check weigh pallets as and when required.

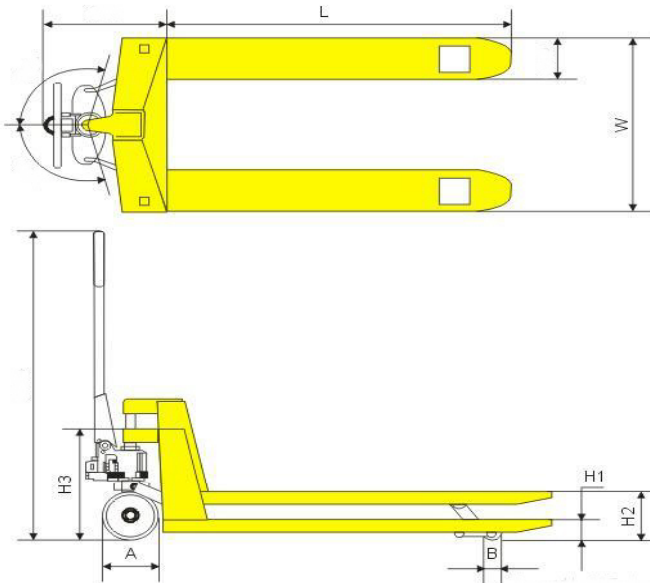
The unit is fitted with the Mettler Toledo IND221 large display digital terminal which offers standard functions such as Zero, Tare, Clear, and displays in single Kilo increments up to 2000 kg changeable to pounds.

The truck works on a Lead acid battery that can be recharged from a standard AC socket.



Four load cells allow for a stable reading to be registered with an accuracy of +/- 0.002%

The truck is based on our AC25 heavy-duty 2500kg capacity frame and pump unit with a powder coated paint finish.



Polyurethane wheels fitted as standard with double rollers on the forks.

Item/Type		SAC-W
Capacity Q	kg	2000
Min. fork height h	mm	88
Max. fork height h1	mm	200
Steering wheel	mm	F180x50
Load roller Single	mm	F74x93
Load roller Tandem	mm	F74x70
Size of fork e*s	mm	178x60
Width overall forks B	mm	568/703
Fork length l	mm	1150/1220

MIDLAND PALLET TRUCKS LTD

Part of the Midland Group of Companies
 Building 33 Second Avenue, Pensnett Trading Estate, Kingswinford
 West Midlands. DY6 7UG
 Telephone 01384 841400
 Fax 01384 841450
 Email. sales@midlandpallettrucks.com