



MAIN FEATURES

Excellent hydraulic pump unit for low maintenance

Heavy duty steel construction with epoxy powder coated finish to give greater ant-corrosion resistance.

Heavy duty lift table with 700kg Capacity

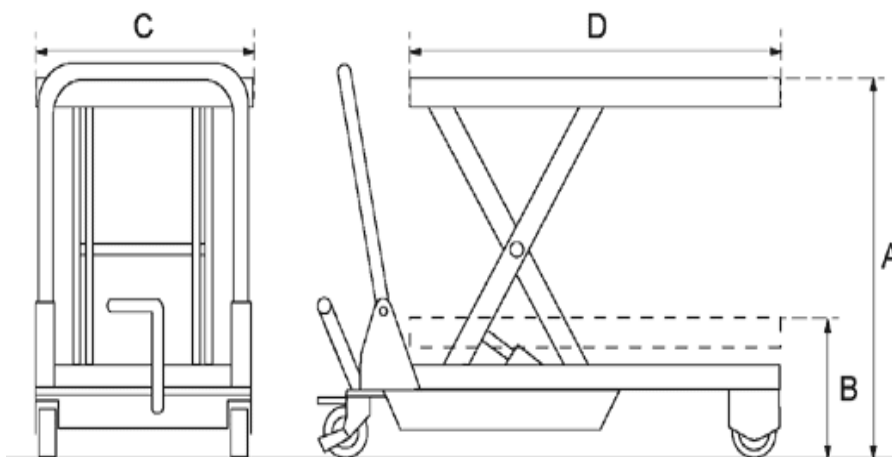
Polyurethane wheels fitted as standard complete with break

Ideal for lifting and transporting a variety of goods

TUV/GS approved and CE Rated.

Other table top sizes available to order

Spare parts available From stock



MODEL		TFD70
Capacity	kg	700
Min table height	B	mm 445
Max table height	A	mm 1500
Table dimensions	C,D	mm 1220(D)x610(C)x50
Caster wheel		mm 125 x 40
Foot pedal cycles to max height		97
Weight of unit	kg	195
Height of handle from ground	mm	1015