



MAIN FEATURES

Excellent hydraulic pump unit for low maintenance with double Lift height

Heavy duty steel construction with epoxy powder coated finish to give greater ant-corrosion resistance.

Heavy duty lift table with 350kg Capacity

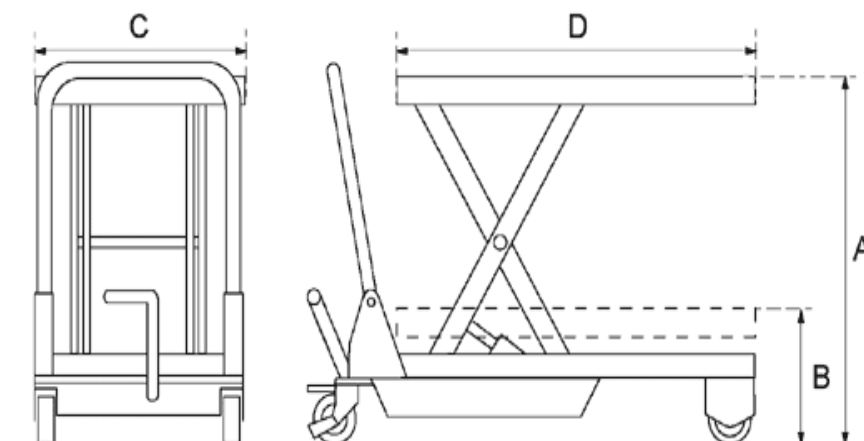
Polyurethane wheels fitted as standard complete with break

Ideal for lifting and transporting a variety of goods

TUV/GS approved and CE Rated.

Other table top sizes available to order

Spare parts available From stock



MODEL		TFD35
Capacity	kg	350
Min table height	B	mm 355
Max table height	A	mm 1300
Table dimensions	C,D	mm 910(D)x500(C)x50
Caster wheel		mm 125x40
Foot pedal cycles to max height		53
Weight of unit	kg	105
Height of handle from ground	mm	975