



MAIN FEATURES

Excellent hydraulic pump unit for low maintenance

Heavy duty steel construction with epoxy powder coated finish to give greater ant-corrosion resistance.

Heavy duty lift table with 750kg Capacity

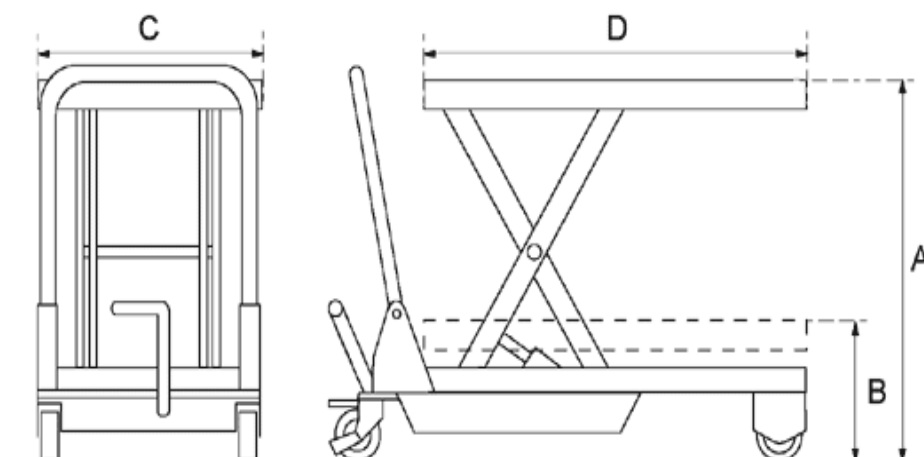
Polyurethane wheels fitted as standard complete with break

Ideal for lifting and transporting a variety of goods

TUV/GS approved and CE Rated.

Other table top sizes available to order

Spare parts available From stock



MODEL		TF75
Capacity	kg	750
Min table height	B mm	420
Max table height	A mm	990
Table dimensions	C,D mm	1000(D)x510(C)x55
Caster wheel	mm	147x50
Foot pedal cycles to max height		45
Weight of unit	kg	125
Height of handle from ground	mm	990