

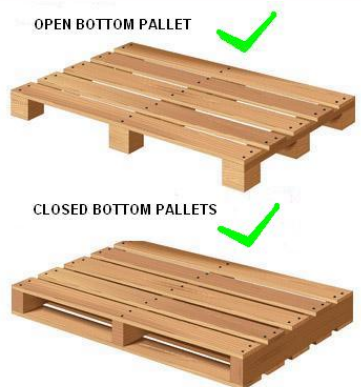


The ESE20 weigh scale truck is an excellent economic solution for weighing pallets with a weighing capacity of 2000kg.

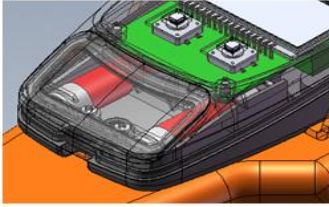
This truck is based on our most popular best selling 2500kg pallet truck, this base model has a proven record of being a highly reliable and robust construction.

Small and compact display unit is sealed to IP65 water and dust ingress, this allows the truck to be used outside and on lorries.

The unit can also be washed down with normal pressure.



Batter charger and 4 batteries available for this unit.



The unit weighs up to 2000kg in 5kg graduation, the weighing range accuracy changes with the load weight range as follows

0-500kg range -> +/-10kg
 500-1000kg range -> +/-20kg
 1000-2000kg range -> +/-30kg

Large keys allows the operator to wear gloves and still operate the unit.

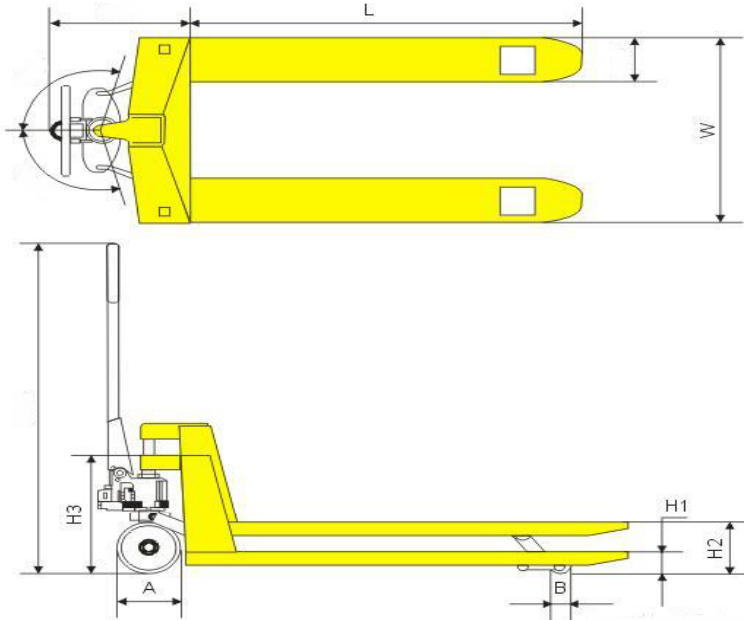
The unit is powered by 2 x "standard 1.5v AA / LR6 batteries.

The unit will automatically turn off after 2 minutes of inactivity to prolong the battery life.

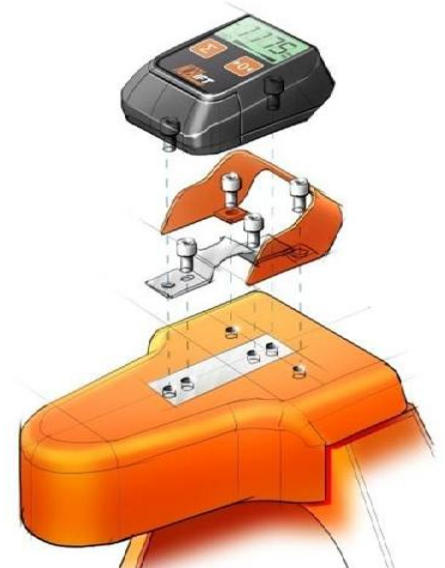
Approximately 2500 – 3000 weightings' can be achieved on a set of batteries.

The operating temperature is

-10 °C to 40°C (14°F to 104°F), with a 10 to 95% relative humidity.



MODEL	ESE20		
Capacity		kg	2000
Min fork height	H1	mm	85
Max fork height	H2	mm	200
Steering wheel size	A	mm	180x50
Fork roller size	B	mm	74x70
Fork width	X	mm	160
Fork length	L	mm	1220
Width	W	mm	685
Steering		°	205°



MIDLAND PALLET TRUCKS LTD

Part of the Midland Group of Companies

Building 33 Second Avenue, Pensnett Trading Estate, Kingswinford

West Midlands. DY6 7UG

Telephone 01384 841440

Fax 01384 841450

Email. sales@midlandpallettrucks.com

