



Excellent 2500kg capacity low maintenance hydraulic pump unit.

Heavy duty steel construction with epoxy powder coated finish to give greater ant-corrosion resistance.

Three position release trigger with Neutral, Lift and Lower settings.

Polyurethane double fork rollers and wheels fitted as standard.

Rollers are fitted on the forks for easy pallet entry/exit.

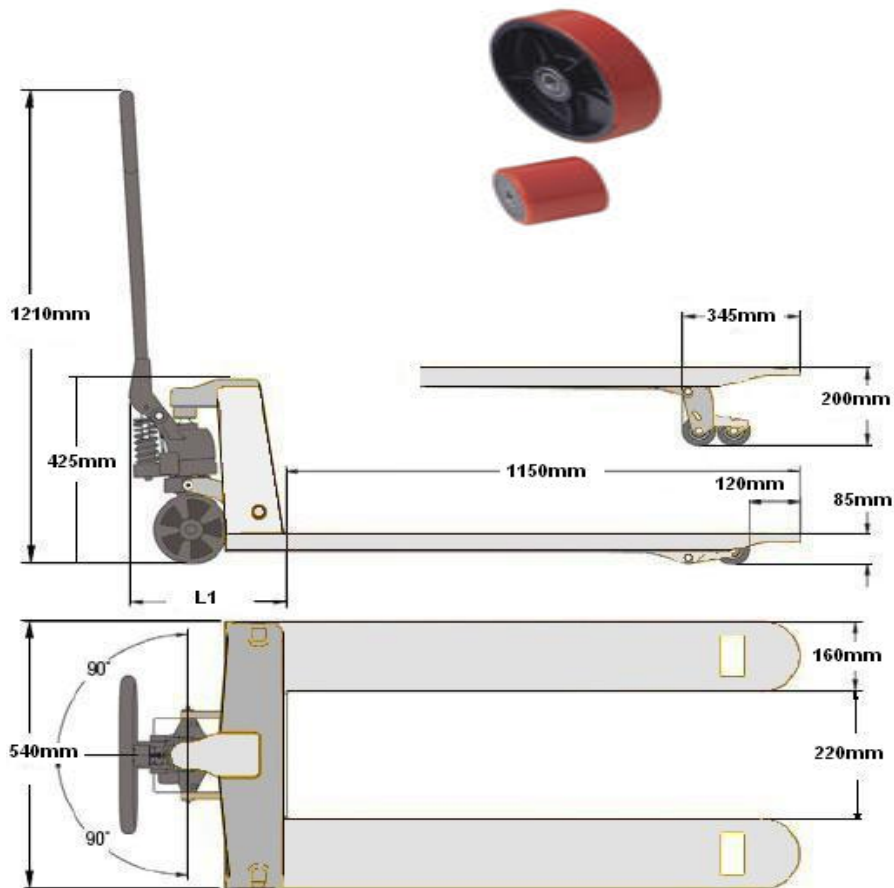
Industry standard design that will lift and move most pallet sizes in use.

TUV/GS approved and CE Rated.

Other fork sizes are available in the range, please see other models on our site for details.

Polyurethane are generally the most popular wheel type and are a cast wheel with a polyurethane tyre around the outer, this wheel gives a better grip on smooth floors and is quieter running than Nylon.

This softer wheel type also tends to be better for use on delicate flooring (finished floor surface).



**Pallet Truck  
Check**



Also consider buying our  
Pallet Truck Check



1 year warrantee on pump unit



Certificate of  
Conformity available  
on request



UK mainland orders  
delivered in 1-2  
working days

**MIDLAND PALLET TRUCKS LTD**  
Part of the Midland Group of Companies  
Telephone 01384 841440 Fax 01384 841450  
Email. [sales@midlandpallettrucks.com](mailto:sales@midlandpallettrucks.com)  
Visit our Pallet truck Shop at :- [www.midlandpallettrucks.com](http://www.midlandpallettrucks.com)